

KMT Waterjet Cutting Nozzles

AUTOLINE® PRO 90,000psi NOZZLE



AUTOLINE® II
60,000psi/4.137bar
Pressure Available

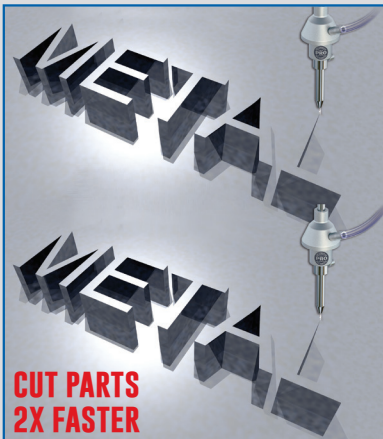
HIGH SPEED, SELF-ALIGNING ABRASIVE CUTTING NOZZLE

Independent tests prove the KMT AUTOLINE® Series of Abrasive Cutting Nozzles cut faster and at a lower cost than any other nozzle. The Next Generation of the AUTOLINE® Series, the AUTOLINE® PRO, is designed to provide the ultimate in cutting efficiency at 90,000 PSI/6.200 bar, while maintaining ease of use and exacting performance.

**Industry Standard
60,000psi/50hp Pump &
Single Head Cutting**



**PRO-III 90,000psi/125hp Pump &
Dual AUTOLINE® PRO Head Cutting**



**CUT PARTS
2X FASTER**

NUMBER OF CUTTING HEADS	ORIFICE SIZE	@PSI
2	.011" (.279mm)	90,000 (Deadhead)

Proven to be the Best

Independent tests have shown that the KMT AUTOLINE® design is the ultimate in efficiency and has the lowest operating cost.

Tests performed by the University of Missouri-Science & Technology showed that the AUTOLINE® design achieved the best overall cutting performance for speed and efficiency.

Fast cutting and low abrasive consumption helped it to win the top position. Of course, if you're more interested in speed than efficiency, the orifice can be replaced with a larger size with just a quarter turn of the insert body.

Simple, Self-aligning Components

The self-aligning components of the KMT AUTOLINE® PRO provide true, perfect alignment to extend the life of focusing tubes and mixing chambers.

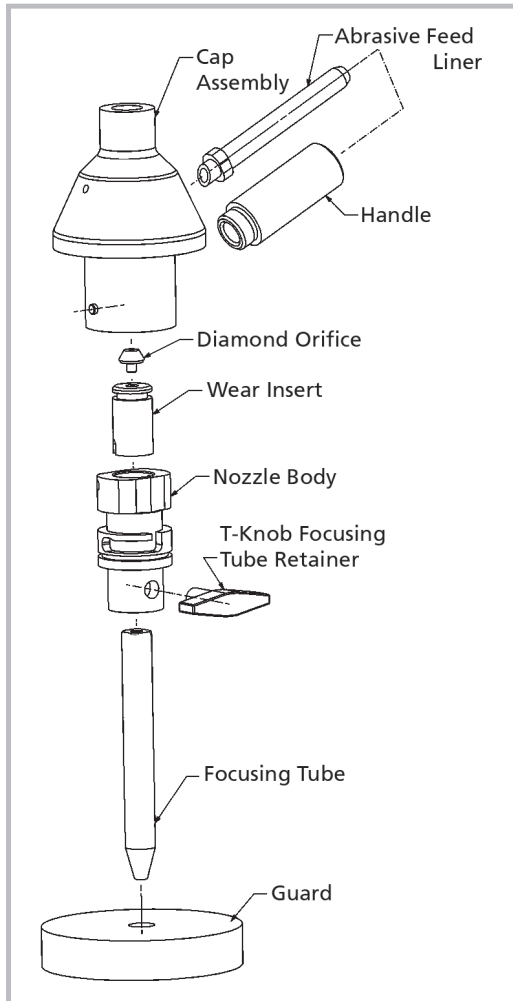
Everyone claims alignment, however, only the precision finish of the orifices in the AUTOLINE® series enable true precision alignment---even at pressures up to 90,000 PSI! *Focusing tubes last longer and wear evenly in an aligned cutting head.*



KMT Waterjet now offers a Cut Calculator APP that compares 90,000psi to 60,000psi cutting.

Increase Productivity @ 90,000psi!





Summary of Features

- **Wear Insert** - Larger and relocated for visibility and easy access.
- **Same Interior Geometries** - High performance cutting with very efficient abrasive usage.
- **Easy Orifice Change** - No tools required.
- **Weep Hole Indicator** - Shows when orifice needs to be tightened further, eliminating over-tightening to protect both the orifice and the nozzle tube.
- **Re-designed Knob** - T-Knob designed for easy focusing tube tightening and dis-assembling.
- **Angled Abrasive Inlet** - Inlet is mounted an angle which allows for a faster abrasive flow.
- **Easier Hose Attachment** - Abrasive feed hose slips over inlet for easier visual attachment.

KMT ULTRA HIGH PRESSURE COMPONENTS

KMT supplies a full line of ultra high pressure pumps, components & parts.



STREAMLINE PRO® III 90,000psi/60hp & 125hp World's Fastest Waterjet



KMT Waterjet Systems Inc.

The Right Pump Matters

635 W. 12th Street • P.O. Box 231 • Baxter Springs, KS 66713
Tel.: 1-620-856-2151 • Fax: 1-620-856-5050
www.kmtwaterjet.com • sales@waterjet.com